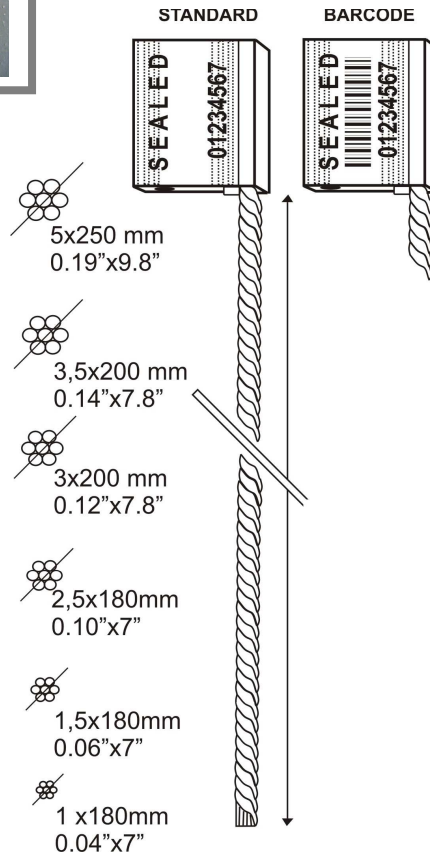


**3,5 mm DIAM
ISO/PAS 17712
APPROVED**

**DESCRIPTION:**

These seals can be adjusted by inserting the steel cable in the holes and then pulling on it.

In order to prevent against any attempt of tampering, it is advisable to pull the cable down as far as possible. The length of the cable can be made to order.

MATERIAL:

- °The body: painted aluminium
- °Cable : steel wire – different diameters

SEQUENTIAL NUMBERING AND CUSTOMISATION:

- °LASER PRINTING
- °Sequenced numbering up to 15 digits.
- °Also alphanumeric
- °Bar-code possibility
- °Customised up to 20 characters on one line
- °Logos available upon request

STANDARD SIZES:

- °5x250 mm
- °3,5x200 mm
- °3x200 mm
- °2,5x180 mm
- °1,5x180 mm
- °1x180 mm
- °Cable length : on request

AVAILABLE STANDARD COLOURS:

PACKING:			
Diam:	weight	Carton size	Quantity/carton
5 mm	Kgs 17	40x30x18 cm	250
3,5 mm	Kgs 13	40x30x18 cm	250
3 mm	Kgs 17,5	40x30x18 cm	500
2,5 mm	Kgs 9,5	30x28x15 cm	500
1,5 mm	Kgs 8,6	30x28x15 cm	500
1 mm	Kgs 8	30x28x15 cm	500

CERTIFICATES:

ISO/PAS 17712 for sizes: 3,5 and 5 mm diameter